

# MODEL HM-PM 30 SERIES

## LIGHTWEIGHT AND PORTABLE

Ideal For Applying:

- Patches
- Emblems
- Appliques
- Label Tapes
- Ink Transfers
- Embroideries
- Flock Appliques
- Bar Code Labels
- Many Other Heat Seal Materials

## DEPENDABLE PERFORMANCE FOR:

- SPORTSWEAR MANUFACTURERS
- GARMENT MANUFACTURERS
- FORMAL WEAR SUPPLIERS
- NURSING HOMES
- DRY CLEANERS
- HOSPITALS
- HOTELS

Mfg. by:



## HEAT SEALING MACHINES



- Reliable
- Compact



- Economical
- No Compressed Air Required

Contact Penn Emblem  
to purchase this heat press!  
[ssales@pennemblem.com](mailto:ssales@pennemblem.com)  
800-793-7366

**HM Series Machines are closed and opened manually**

**HM-30:** 220/240 vac single phase, top and bottom heat

**HM-31:** 220/240 vac single phase, top heat only

**HM-32:** 110/120 vac top and bottom heat

**HM-33:** 110/120 vac top heat only

**PM Series Machines are closed manually and open up automatically**

**PM-30:** 220/240 vac single phase, top and bottom heat

**PM-31:** 220/240 vac single phase, top heat only

**PM-32:** 110/120 vac top and bottom heat

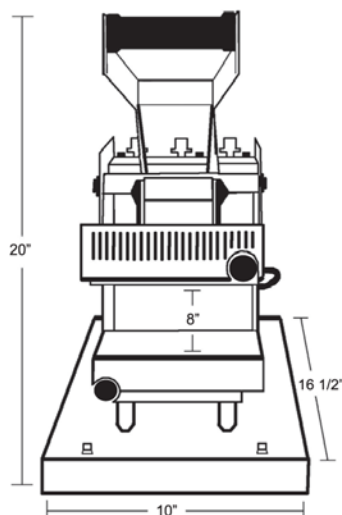
**PM-33:** 110/120 vac top heat only

## MACHINE FEATURES

- Power "ON-OFF" Switch.
- Heating Indicator Lights for Heated Platens.
- Green Machine "ON" Indicator Light.
- Solid State Reset Cycle Timer is adjustable from 1 to 30 Seconds.
- Temperature Gauges for Heated Platens.
- Solid State Temperature Control Board assures accurate and consistent platen temperatures that are adjustable from 250° to 450° F.
- Tamper proof Adjustable Temperature Control Knobs for Heated Platens. Heated Platens can be controlled or turned "Off" individually.
- Upper Platen opens wide to provide clear work area.
- Spring mounted Lower Platen automatically adjusts for thick or thin garments allowing for proper sealing of various materials without time consuming machine adjustments.
- When Press is not in use the Top Platen can rest on top of the Bottom Platen conserving heat and keeping the heated Top Platen safely out of the operator's way.
- Slide on Platen Cover for quick change of sponge pad.
- Electrical Fuse mounted on circuit board inside machine.
- Simple, but dependable.....designed and built to be safe and maintenance free.

Contact Penn Emblem to  
purchase this heat press!  
ssales@pennemblem.com  
800-793-7366

## MACHINE DIMENSIONS



## WARRANTY

### SPECIFICATIONS

- Electrical:  
110/120 vac-50/60 Cycle  
(Models HM-32 & 33, PM-32 & 33)  
220/240 vac-50/60 Cycle  
(Models HM-30 & 31, PM-30 & 31)
- Power consumption:  
280 watts Top Heat Only  
560 watts Top & Bottom Heat
- Platen Size:  
3 1/2" x 6"  
(Optional 2" x 4" Bottom Platen)
- Approximate Weight: 30 lbs.

Complete 1 year warranty  
on materials and workmanship  
(Does not include platen covers and accessories)

### PLATEN ACCESSORIES

Teflon Covers & 3/8" thick Sponge Silicone Pads  
Standard. Also available: 1/16", 1/8", 1/4". &  
1/2" thick Sponge Silicone Pads.

Manufactured and Sold by:  
**TEXAS AUTOMATION PRODUCTS, INC.**

1014 Dalworth Drive  
Mesquite, TX 75149

972.288.5000

**800.872.1960**

Fax: 972.288.6022

E-mail: info@texasautomationproducts.com

**texasautomationproducts.com**